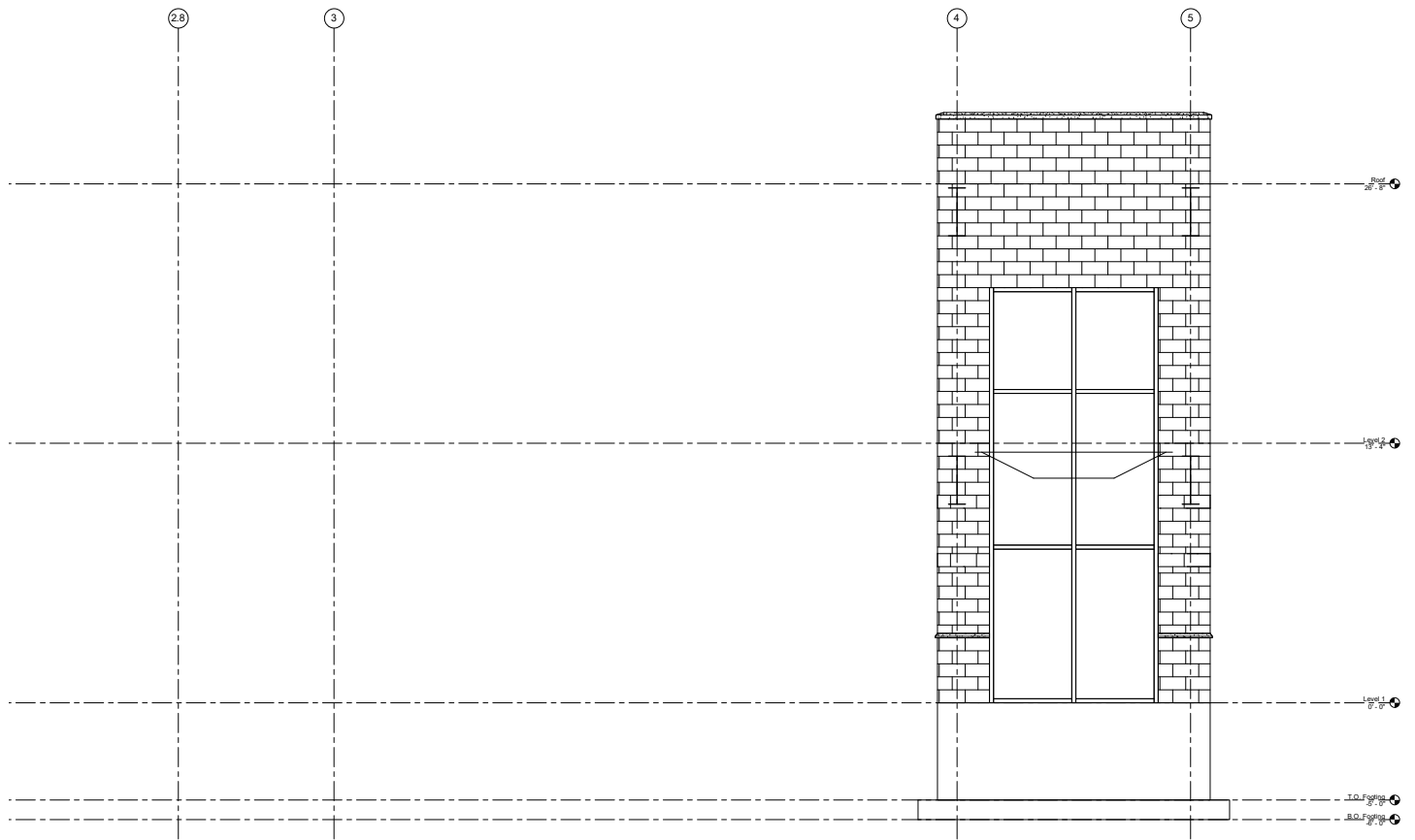


**M.ten**

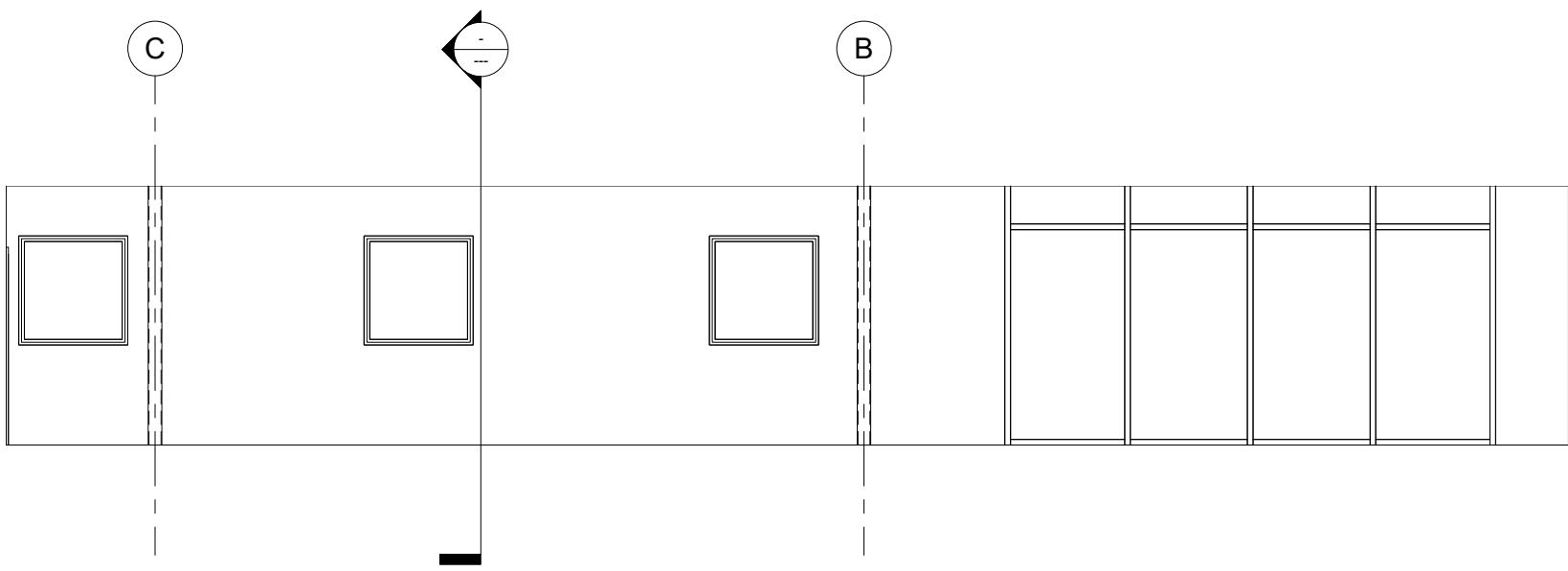
**Ashley DiVito**

# elevation



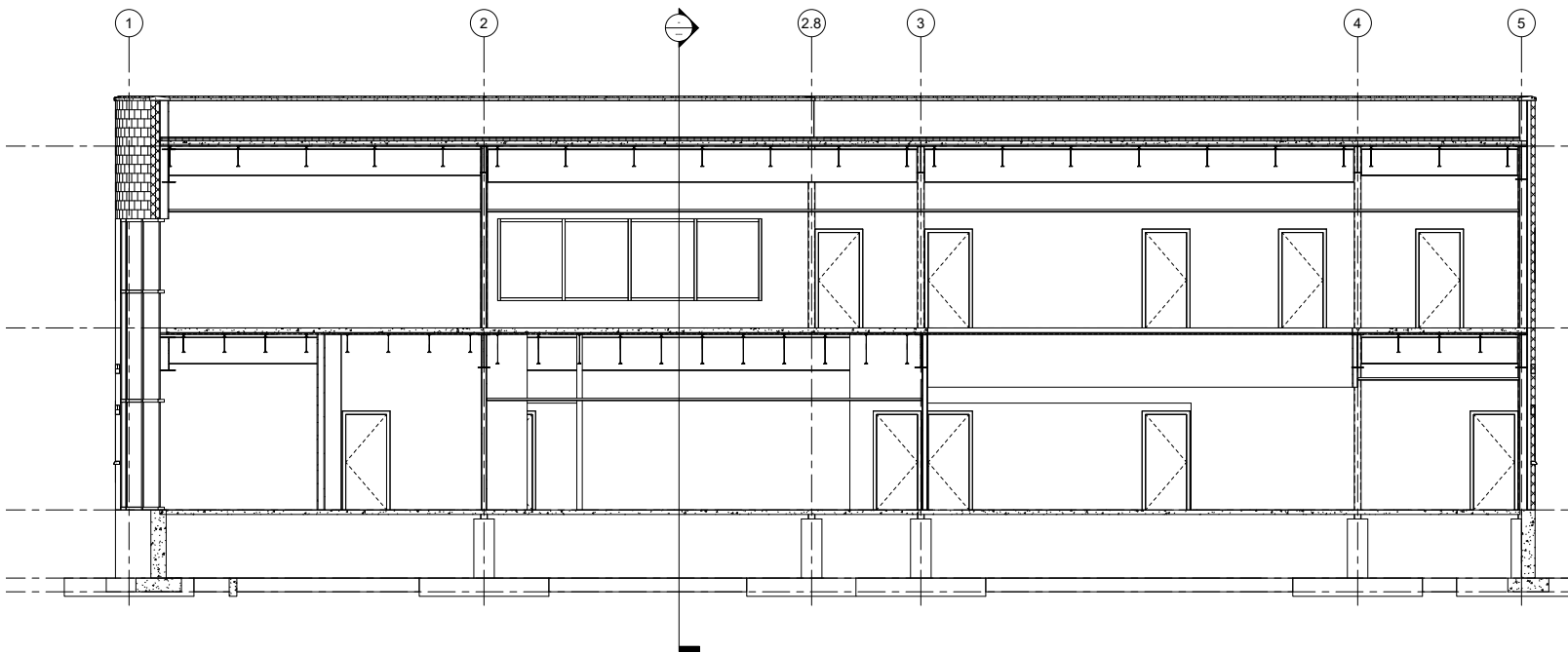
South - Main Entry

# elevation

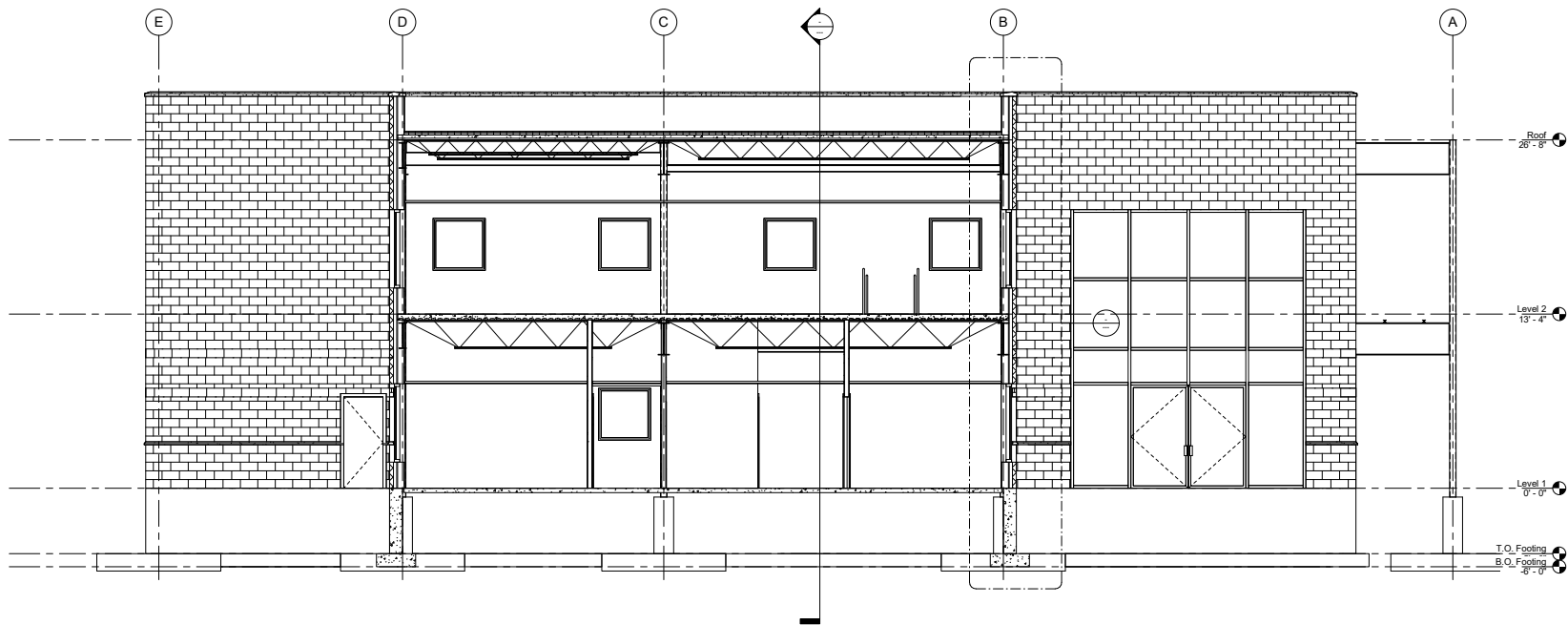


Lobby & Entry - East

# section

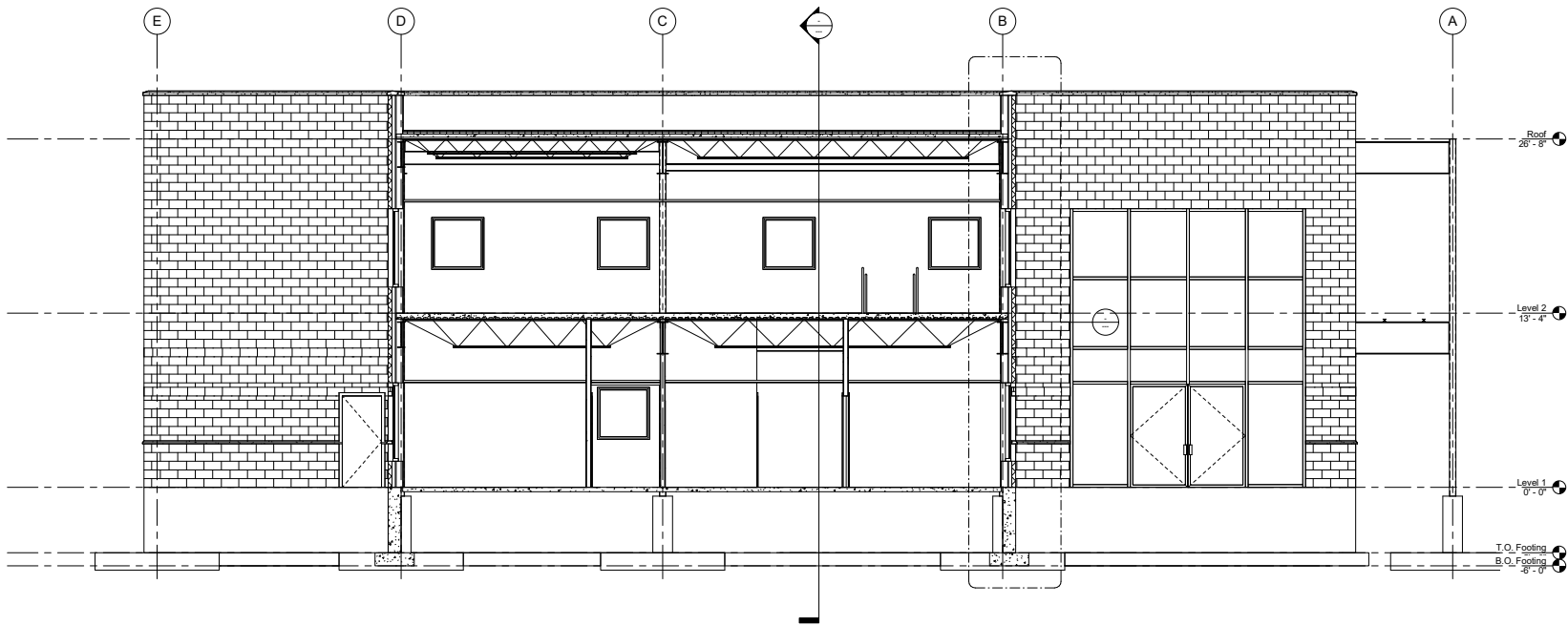


Longitudinal Section



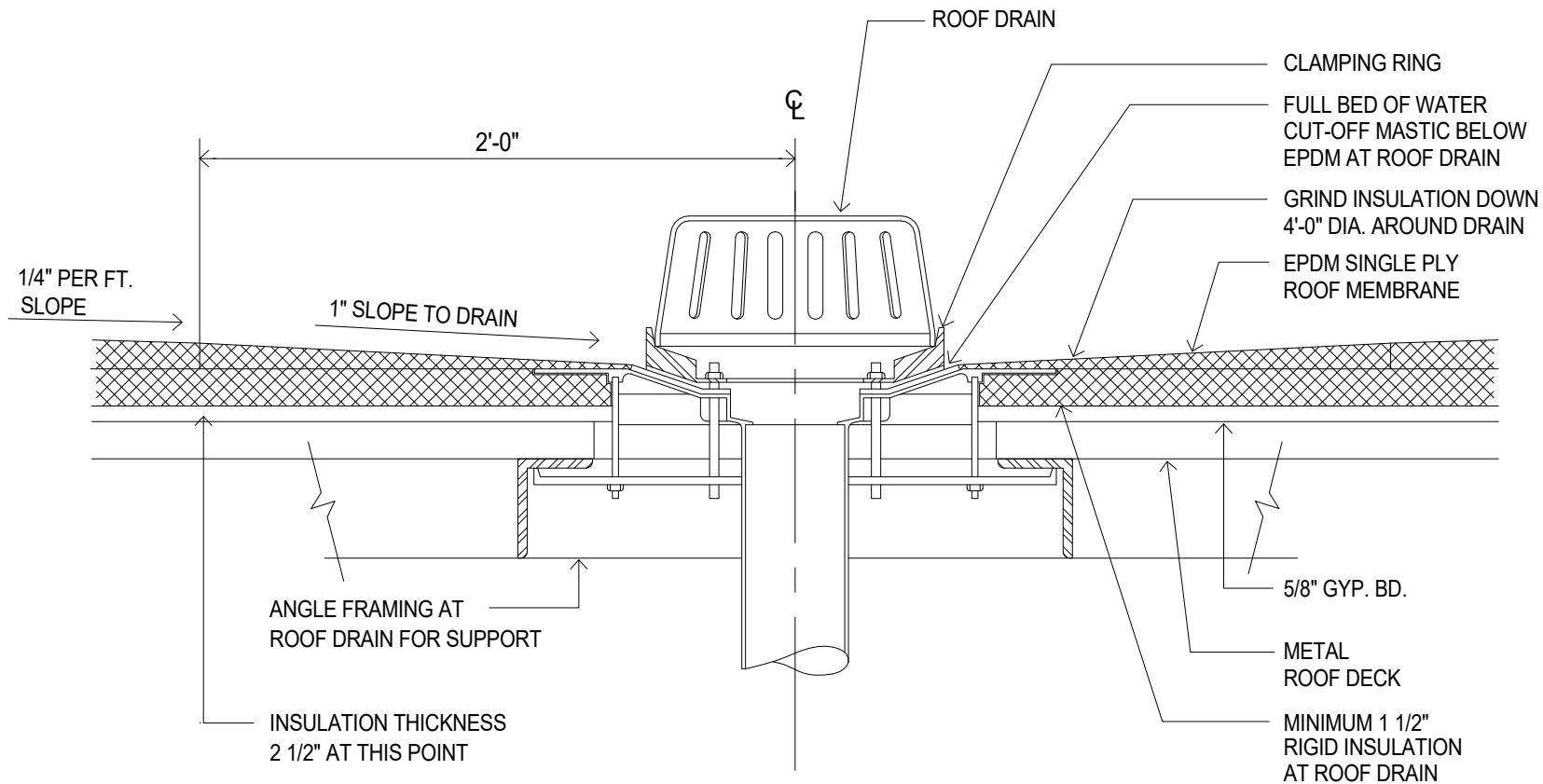
# Section

Cross Section



# Section

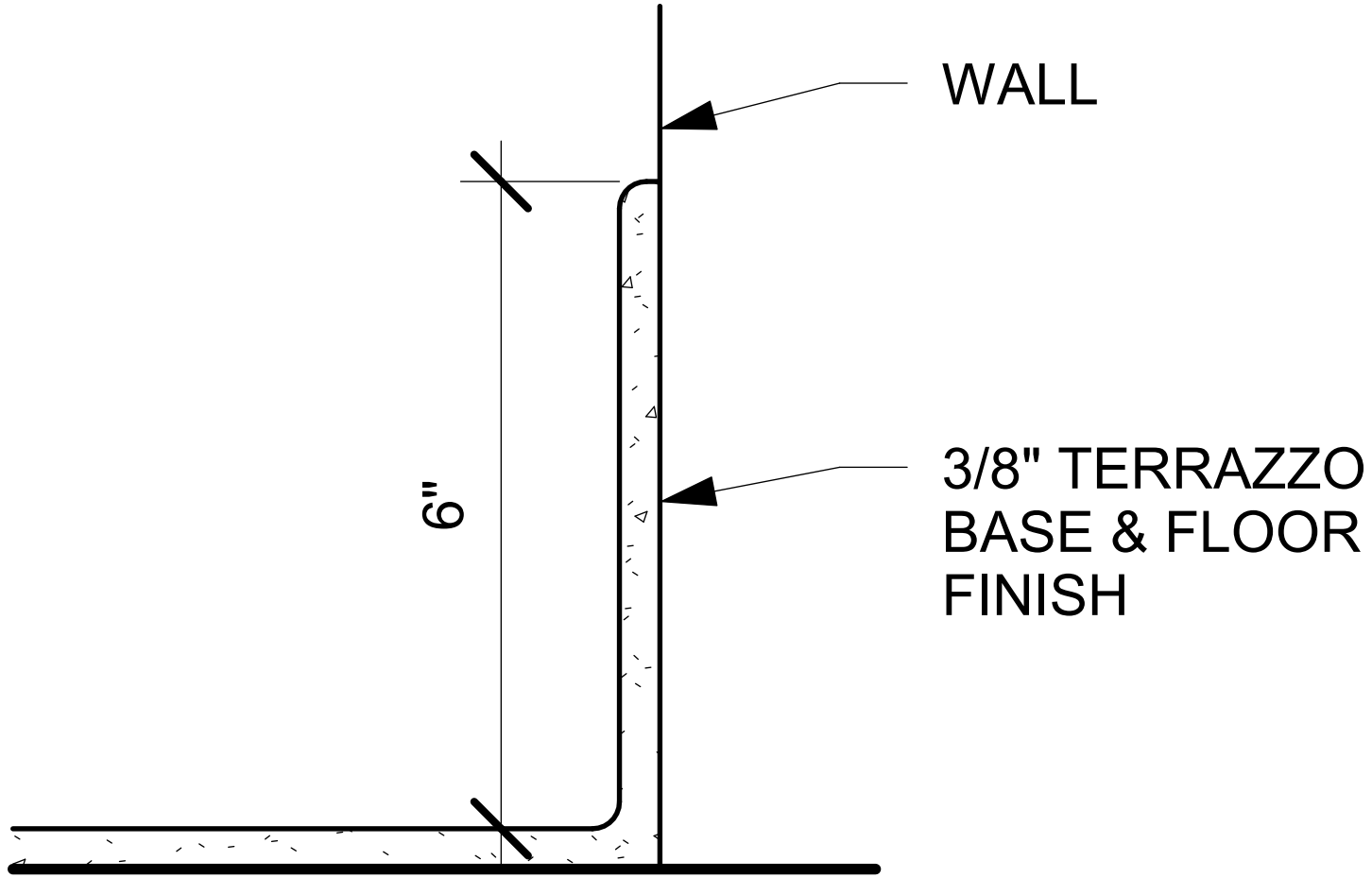
Typical Wall Section



Typical Roof Drain Detail

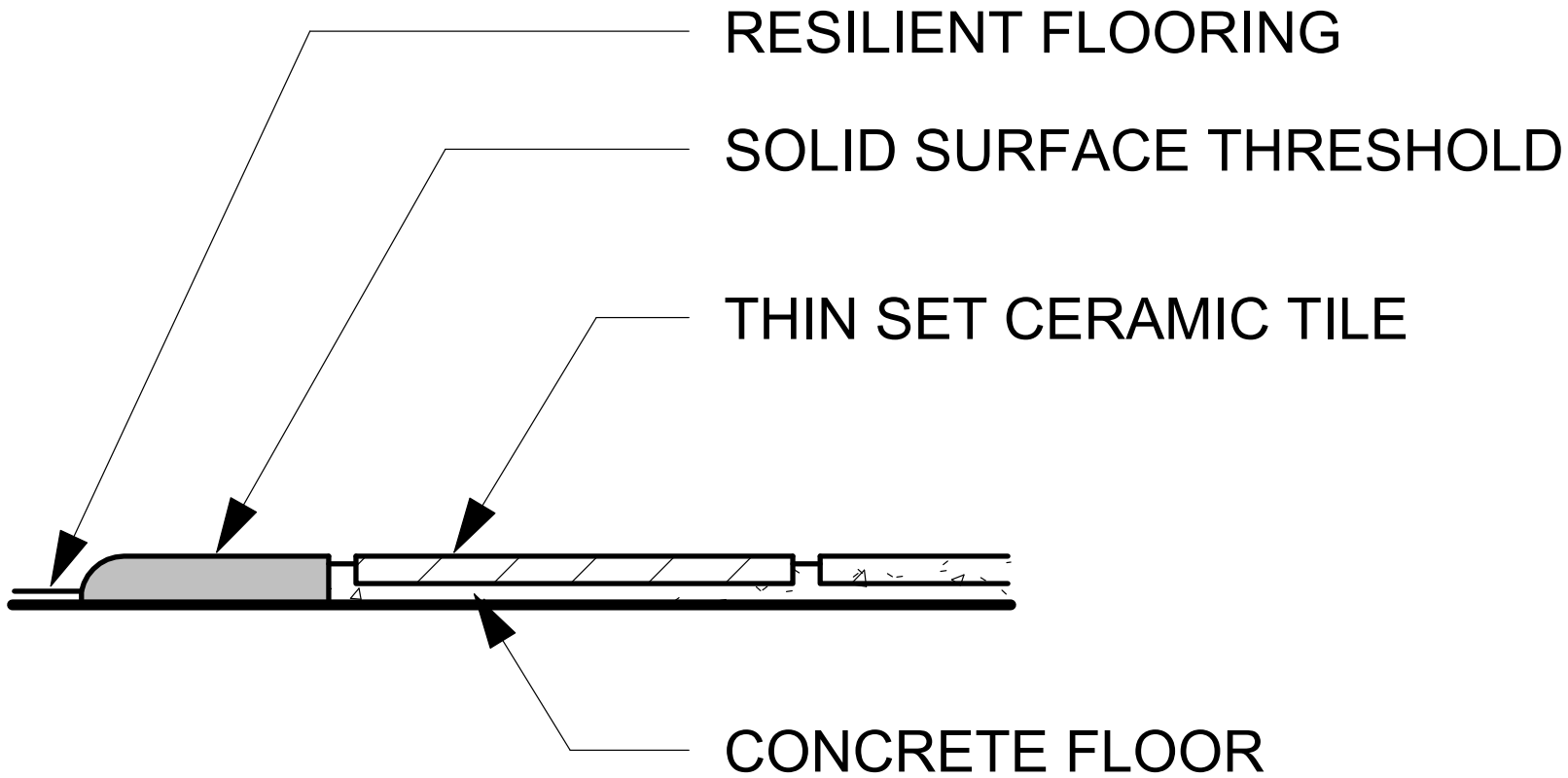
draft view

Terrazzo Base Detail



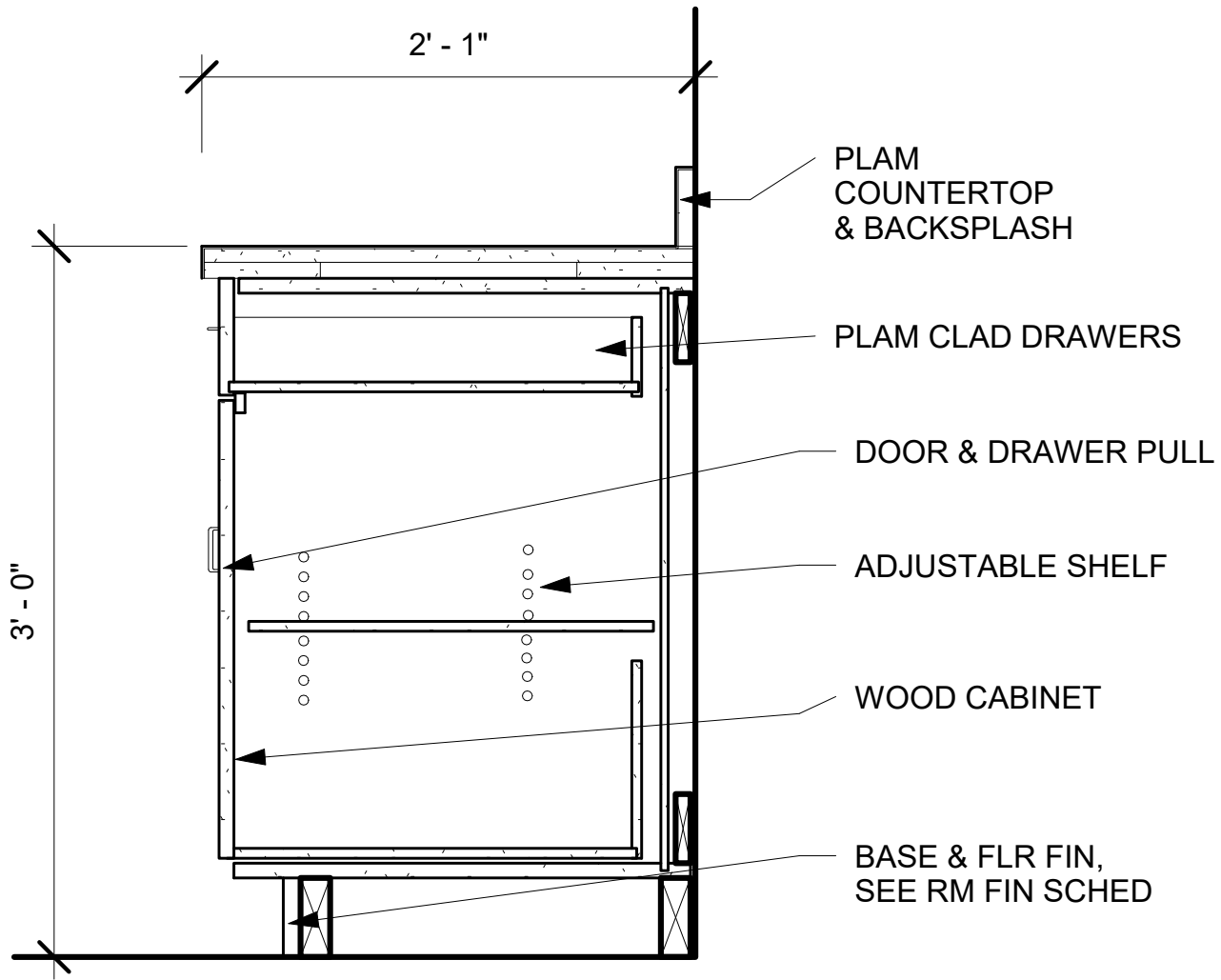
draft view





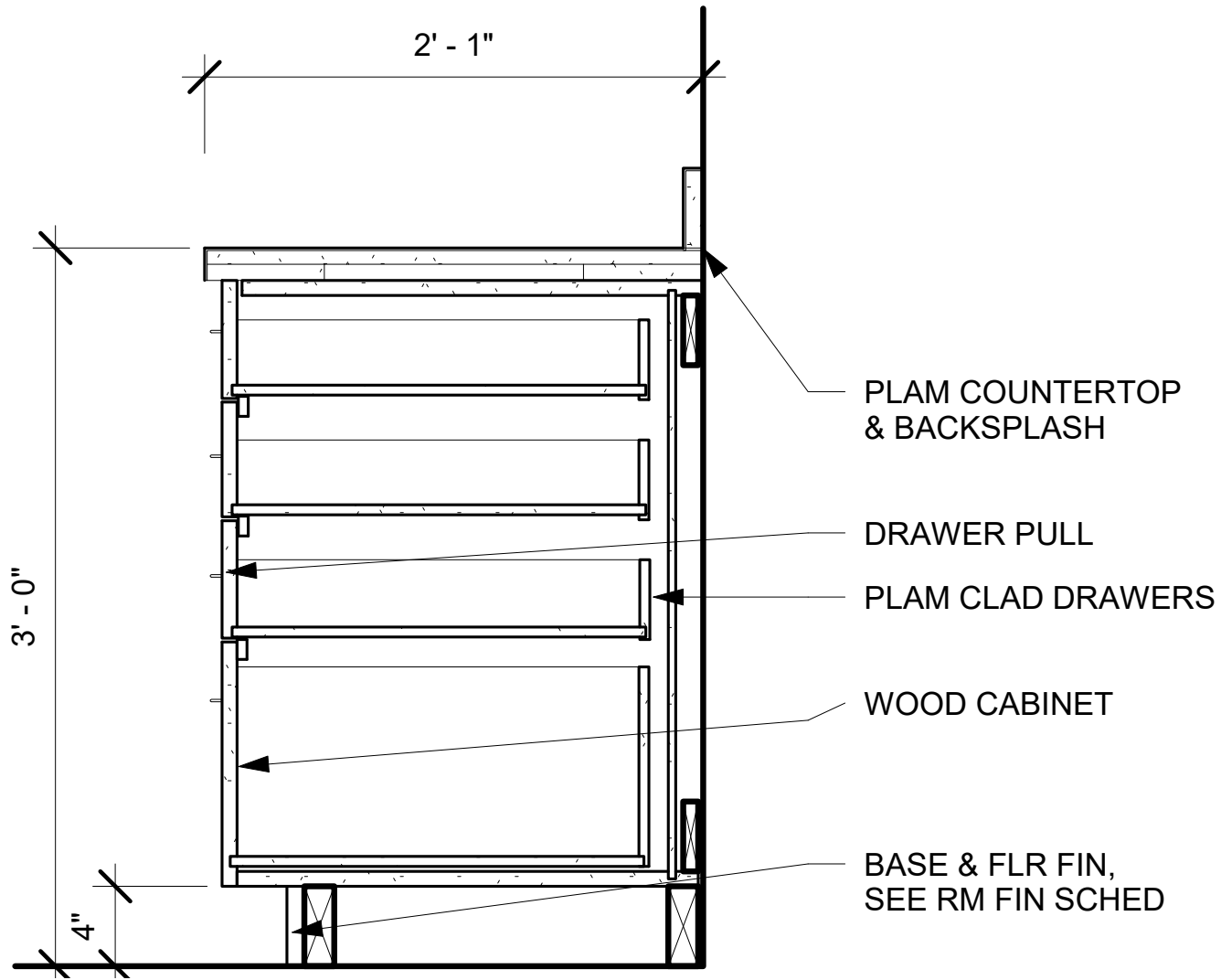
Floor Transition Detail

draft view



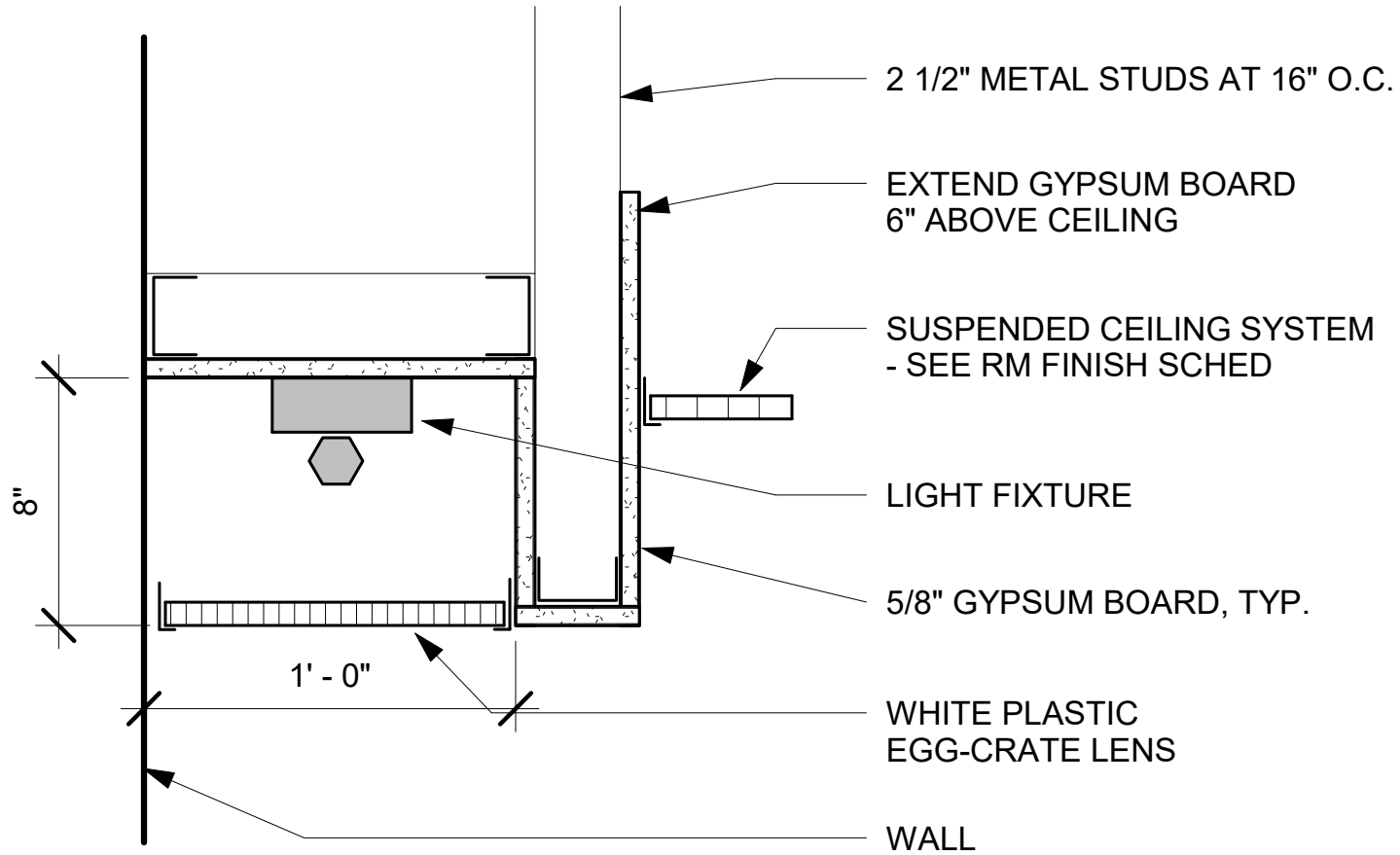
Base Cabinet Detail

draft view



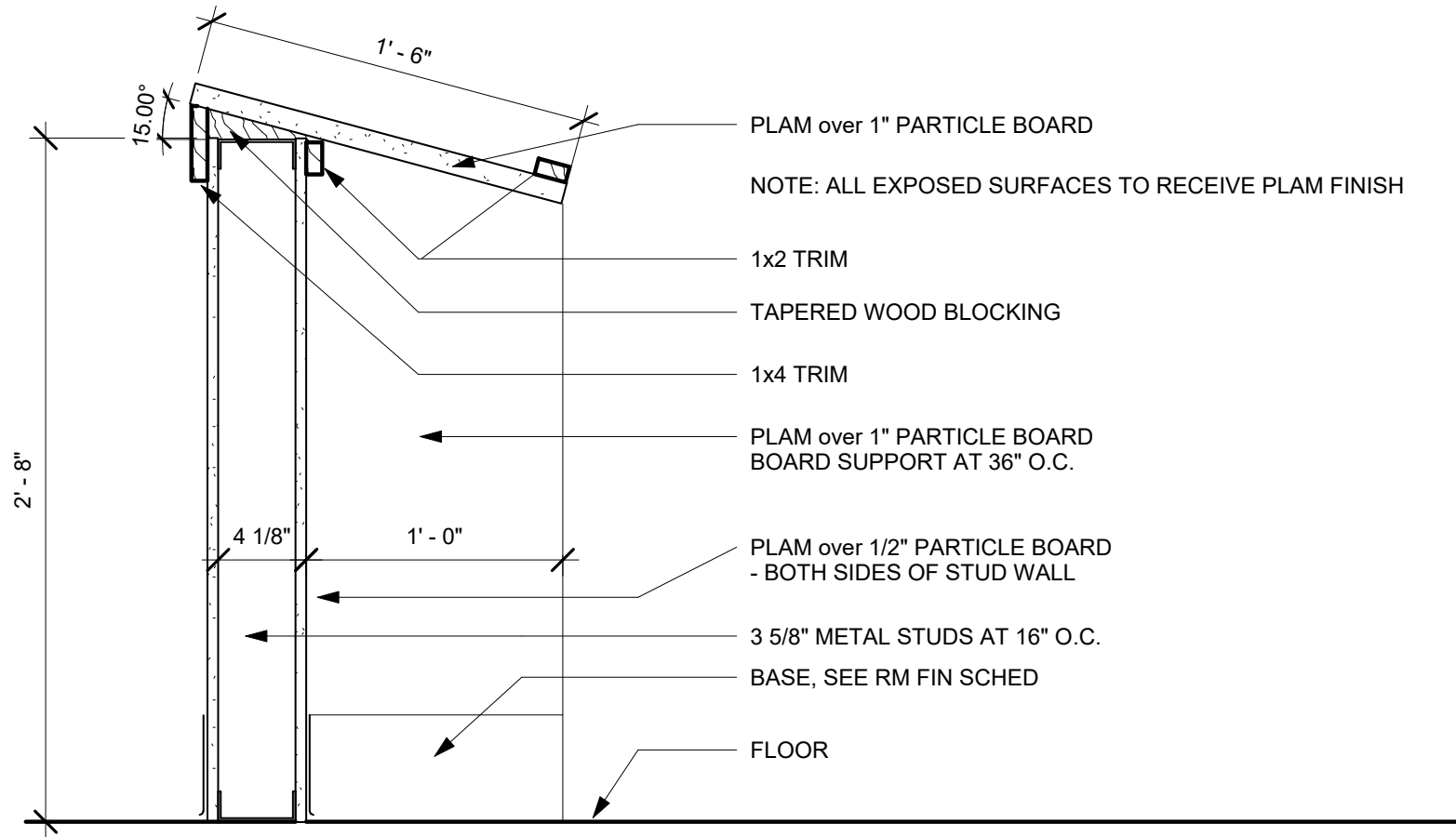
Base Cabinet Detail - Drawers

draft view



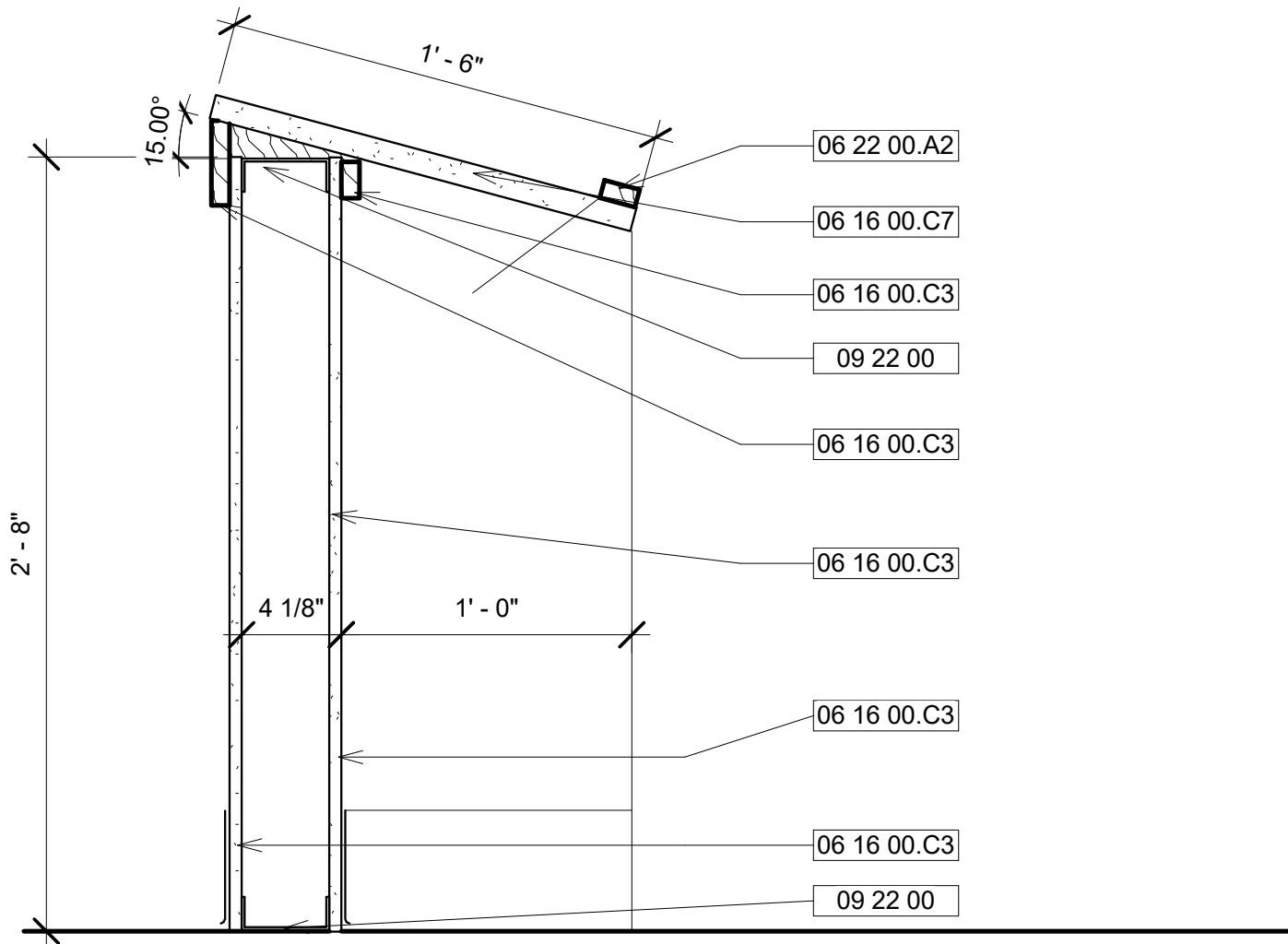
Toilet Room Ceiling Detail

draft view



draft view

Fixed Student Desk



draft view

Fixed Student Desk - Keynotes